



## *Fused Connection Units*



The Click MODE range has recently been expanded to include a range of anthracite grey finished accessories to comply with current Building Regulations Part M.

Part M Fused Connection Units provide large twin earth terminals as standard, which greatly facilitates wiring and installation.

All Part M 13A Fused Connection Units are tested and approved to BS1363 offering assured quality and safety through our BSI Kitemark Licence KM10807.

**Fused Connection Units**

**Product Range**

**Fused Connection Unit With Optional Flex Outlet**

**CMA052AG**

13A DP Switched Fused Connection Unit with Neon

**Fused Connection Unit Without Flex Outlet**

**CMA651AG**

13A DP Switched Fused Connection Unit



CMA052AG

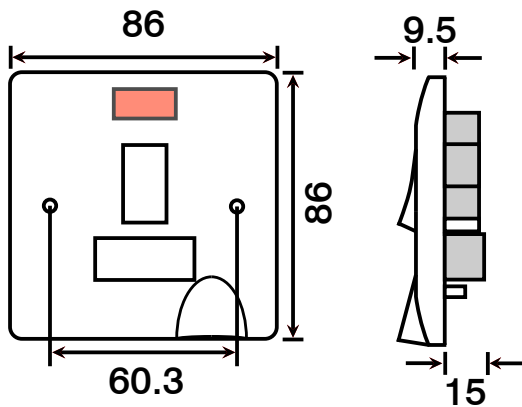


CMA651AG

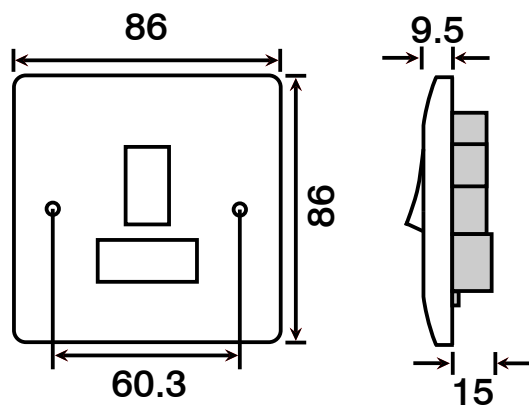
## Fused Connection Units

### Product Dimensional Drawings (mm)

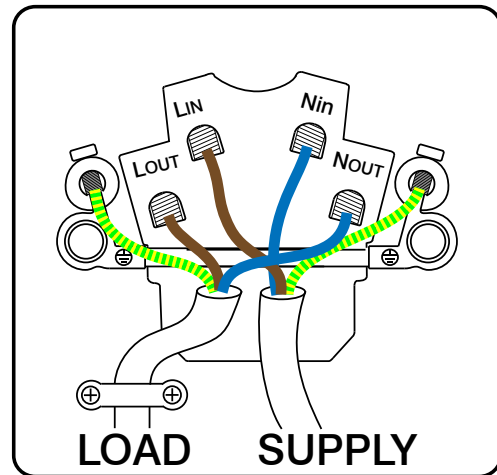
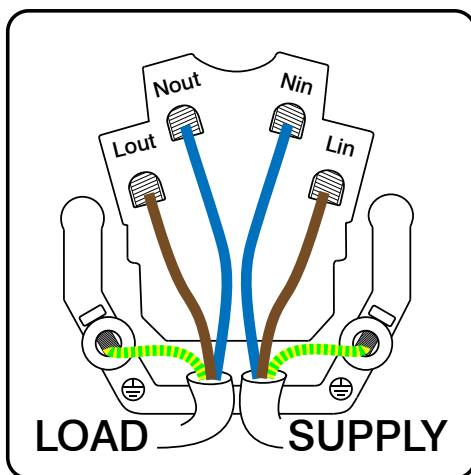
CMA052AG



CMA651AG



### Wiring Diagrams



## Fused Connection Units

### Technical Specification

#### Fused Connection Units

<b>Material Composition</b>	Front Plate, Rocker Switch & Rear Housing: Urea Terminals: Brass, Terminal Screws: Steel & Yellow Passivated Internal Mechanism: Formed Press Brass Silver "on-lay" Copper / Brass Contacts
<b>Voltage</b>	240V~ 50Hz
<b>Current Rating</b>	13A
<b>Terminal Size</b>	5mm ø
<b>Torque Value</b>	2.5Nm
<b>Cable Size</b>	3 x 2.5mm <sup>2</sup> or 2 x 4.0mm <sup>2</sup>
<b>Double Pole</b>	Yes
<b>Twin Earth</b>	Yes
<b>Back Box Depth</b>	25mm - 47mm
<b>Warranty</b>	20 Years
<b>Anti Microbial Certified</b>	Yes
<b>LRV Value</b>	8.9
<b>IP Rating</b>	IP20
<b>Operational Temperature</b>	-5° to +40°C
<b>Standards</b>	The Low Voltage Directive 2006/95/EC, Modified ISO 22196 BS 1363-4:1995+A4:2012 (KM10807 Kitemark Licence) Fuses to BS 1362:1973

#### Additional Information

Ensure that the mains supply is isolated before commencing installation and refer to the circuit diagram with the relevant product.

Bare earth cables must always be covered with appropriate sleeving and wired to the earth terminal.

All white moulded accessories are manufactured using Urea Formaldehyde, which has similar inherent properties to antimicrobial additives that inhibit the growth of infectious diseases. All products were independently tested and achieved a 99.9% kill rate across all four types of the strains of bacteria - MRSA, E-Coli, Salmonella, and Klebsiella Pneumoniae.

Errors & Omissions excluded. Specification is subject to change without notice.

V1.0

Scolmore International Ltd, 1 Scolmore Park, Landsberg, Lichfield Road Ind. Estate, Tamworth, Staffordshire, B79 7XB

**Telephone:** 01827 63454

**E-mail:** sales@scolmore.com, technical@scolmore.com

**Facsimile:** 01827 63362

**Website:** www.scolmore.com

# Part M Range

## DECLARATION OF CONFORMITY

1. *Issuer Name* Scolmore International Limited
2. *Issuer Address* 1 Scolmore Park, Landsberg,  
Lichfield Road Industrial Estate,  
Tamworth, Staffordshire, B79 7XB
3. *Object(s) of Declaration* Part M Range
- a. *Group* Fused Connection Units
- b. *Model No.* CMA052AG, CMA651AG

4. *The object of the declaration described above is in conformity with the requirements of the following Legislations:*

Document No	Title
2006/95/EC	Low Voltage Directive

5. *All products contained within the aforementioned comply with the relevant standards and requirements listed below.*

KM10807 Kitemark Licence  
BS 1363-4 : 1995 + A4 : 2012  
BS 1362 : 1973 (Fuse)

6. *I hereby declare that the equipment named above has been designed to comply with the relevant sections of the above referenced specifications. The unit complies with all applicable Essential Requirements of the Directives.*

*In conjunction with the above all manufacture and process controls are in accordance with ISO 9001:2008*

Signed, for and on behalf of: Scolmore International Limited



Steven Bettson BSc - Senior Technical Support Engineer

# CE 15